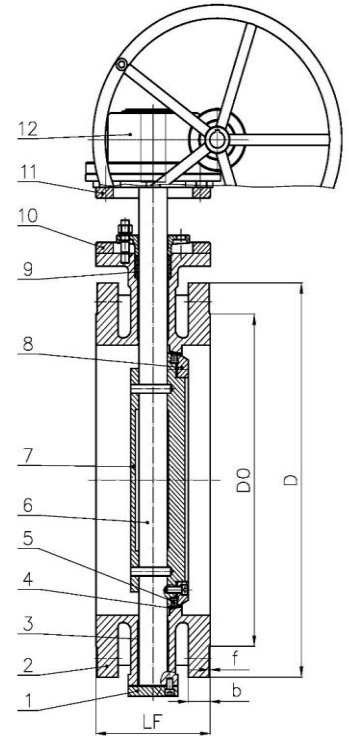
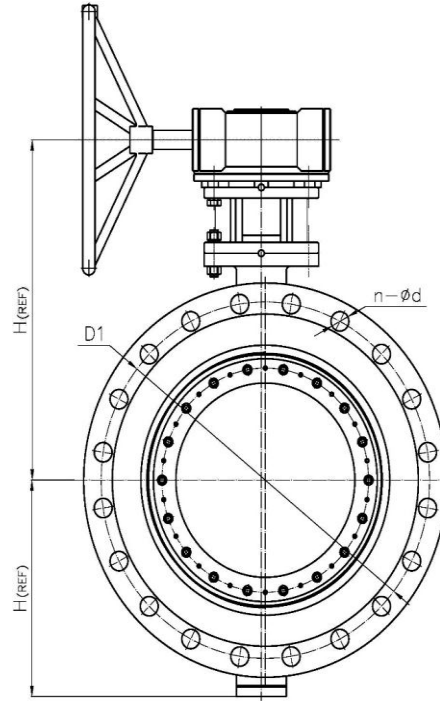




# D342X Flange double eccentric butterfly valve



### Remarks:

- 1.Design and manufacture as per BS EN593
- 2.Face to face dimensions as per BS EN558 Series 13/14
- 3.Flange dimensions as per BS EN1092-2
- 4.Pressure test as per BS EN12266-1

Pressure test		PN10	PN16
Shell		15bar	24bar
Seal	Water	11bar	17.6bar
	Air	6bar	6bar

Media: Water, oil and gas

Temperature: -5~80°C

### Material for main parts:

No.	Part Name	Material	No.	Part Name	Material
1	Cover	Q235	7	Disc	Ductile iron
2	Body	Ductile iron	8	Retainer	Q235
3	Bushing	Self-lubricating	9	Packing	Graphite
4	Body seat	SS304	10	Gland	WCB
5	Disc seat	EPDM	11	Yoke	WCB
6	Stem	2Cr13	12	Gear box	Ductile iron

Dimension: mm

DN	PN	LF		D	D0	D1	n-Ød	f	b	H #	H1 #
200	10	152	230	340	266	295	8-Ø23	3	20	326	188
	16			340	266	295	12-Ø23		20	326	188
250	10	165	250	395	319	350	12-Ø23		22	354	214
	16			405	319	355	12-Ø28		22	370	225
300	10	178	270	445	370	400	12-Ø23	4	24.5	418	258
	16			460	370	410	12-Ø28		24.5	440	275
350	10	190	290	505	429	460	16-Ø23		24.5	453	285
	16			520	429	470	16-Ø28		26.5	460	290
400	10	216	310	565	480	515	16-Ø28		24.5	512	308
	16			580	480	525	16-Ø31		28	540	315
450	10	222	330	615	530	565	20-Ø28		25.5	536	334
	16			640	548	585	20-Ø31		30	565	361
500	10	229	350	670	582	620	20-Ø28	26.5	590	360	
	16			715	609	650	20-Ø34	31.5	632	365	

# "H" and "H1" for reference only.

**Henan Yuda Valve Manufacturing Co., Ltd.**  
**467500, Industrial zone in Ruzhou, Henan province.**

[www.hnydvalve.com](http://www.hnydvalve.com)

We reserve the right to modify the above information without notice.

(Oct. in 202