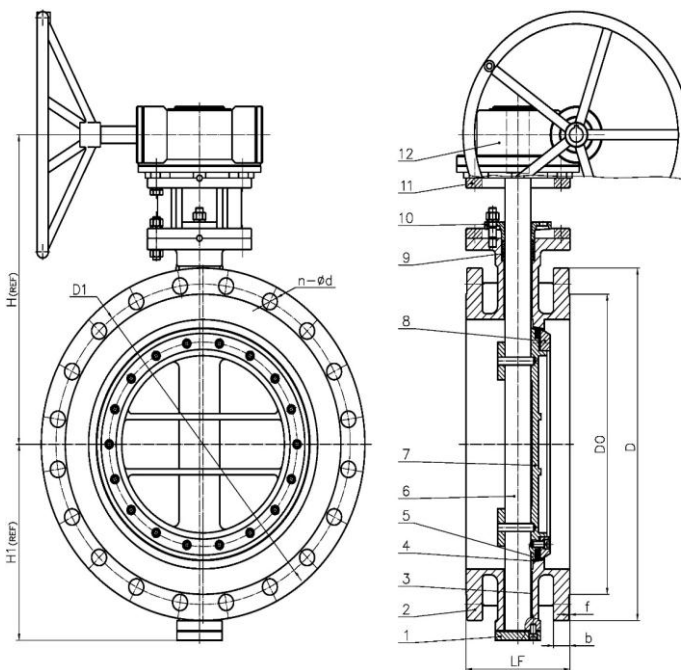




D343P Double flange triple offset butterfly valve



Remarks:

- 1.Design and manufacture as per BS EN593
- 2.Face to face dimensions as per BS EN558 Series 13
- 3.Flange dimensions as per Gost 33259-2015
- 4.Pressure test as per BS EN12266-1

Pressure test		PN10	PN16	PN25
Shell		15bar	24bar	37.5bar
Seal	Water	11bar	17.6bar	27.5bar
	Air	6bar	6bar	6bar

Media: Water, oil and gas
 Temperature: -15~350°C

Material for main parts

No.	Part Name	Material	No.	Part Name	Material
1	Cover	Q235	7	Disc	WCB
2	Body	WCB	8	Retainer	Q235
3	Bushing	Self-lubricating	9	Packing	Graphite
4	Body seat	SS304	10	Gland	WCB
5	Disc seat	SS304+XB450	11	Yoke	WCB
6	Stem	2Cr13	12	Gear box	Ductile iron

Dimension: mm

DN	PN	LF	D	D0	D1	n-Ød	f	b	H #	H1 #
350	10	190	505	429	460	16-Ø22	4	26	468	295
	16		520	429	470	16-Ø26		30	468	295
	25		555	448	490	16-Ø33		38	490	340
400	10	216	565	480	515	16-Ø26		26	508	328
	16		580	480	525	16-Ø30		32	540	326
	25		620	503	550	16-Ø36		40	517	368
450	10	222	615	530	565	20-Ø26		28	537	378
	16		640	548	585	20-Ø30		34	537	378
	25		670	548	600	20-Ø36		40	562	410
500	10	229	670	582	620	20-Ø26		28	610	378
	16		715	609	650	20-Ø33	36	628	400	
	25		730	609	660	20-Ø36	44	660	435	

* The "n" of "n-Ød" is the total number of holes, 4-Mxx means that the 4 holes at stem upper and lower position are threaded holes.

"H" and "H1" for reference only.

Henan Yuda Valve Manufacturing Co., Ltd.
 467500, Industrial zone in Ruzhou, Henan province.

www.hnydvalve.com

We reserve the right to modify the above information without notice.

(Oct. in 2021)