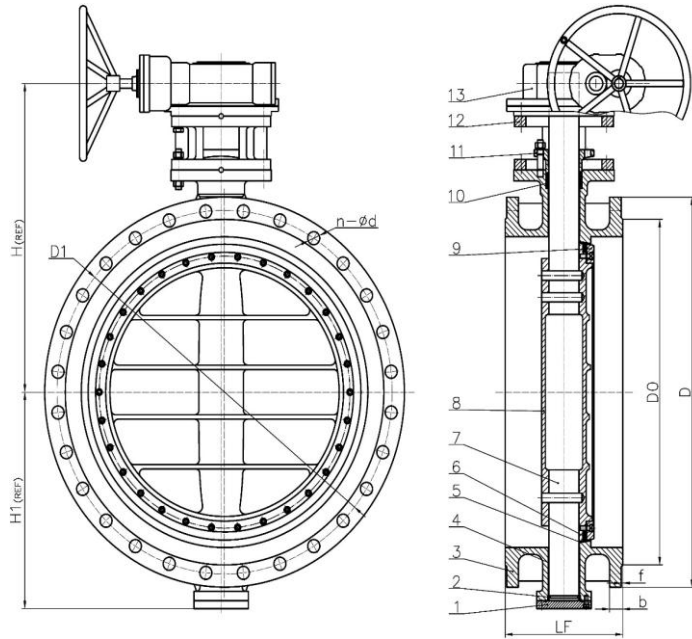




D343P Double flange triple offset butterfly valve



Remarks:

- 1.Design and manufacture as per BS EN593
- 2.Face to face dimensions as per BS EN558 Series 13
- 3.Flange dimensions as per Gost 33259-2015
- 4.Pressure test as per BS EN12266-1

| Pressure test | | PN10 | PN16 | PN25 |
|---------------|-------|-------|-------|---------|
| Shell | Water | 15bar | 24bar | 37.5bar |
| | Air | 6bar | 6bar | 6bar |

Material for main parts

| No. | Part Name | Material | No. | Part Name | Material |
|-----|-------------|------------------|-----|-----------|--------------|
| 1 | Cover | Q235 | 8 | Disc | WCB |
| 2 | Thrust ring | 20# | 9 | Retainer | Q235 |
| 3 | Body | WCB | 10 | Packing | Graphite |
| 4 | Bushing | Self-lubricating | 11 | Gland | WCB |
| 5 | Body seat | SS304 | 12 | Yoke | WCB |
| 6 | Disc seat | SS304+XB450 | 13 | Gear box | Ductile iron |
| 7 | Stem | 2Cr13 | | | |

Media: Water, oil and gas
Temperature: -15~350°C

Dimension: mm

| DN | PN | LF | D | D0 | D1 | n-Ød | f | b | H # | H1 # |
|------|----|-----|------|------|------|--------|----|------|------|------|
| 600 | 10 | 267 | 780 | 682 | 725 | 20-Ø30 | 5 | 34 | 686 | 470 |
| | 16 | | 840 | 685 | 770 | 20-Ø36 | | 38 | 695 | 470 |
| | 25 | | 845 | 720 | 770 | 20-Ø39 | | 46 | 740 | 487 |
| 700 | 10 | 292 | 895 | 794 | 840 | 24-Ø30 | | 34 | 750 | 510 |
| | 16 | | 910 | 794 | 840 | 24-Ø36 | | 40 | 750 | 530 |
| | 25 | | 960 | 820 | 875 | 24-Ø42 | | 50 | 790 | 560 |
| 800 | 10 | 318 | 1015 | 901 | 950 | 24-Ø33 | | 36 | 830 | 570 |
| | 16 | | 1025 | 901 | 950 | 24-Ø39 | | 42 | 835 | 570 |
| | 25 | | 1085 | 928 | 990 | 24-Ø48 | | 54 | 880 | 640 |
| 900 | 10 | 330 | 1115 | 1001 | 1050 | 28-Ø33 | | 38 | 880 | 625 |
| | 16 | | 1125 | 1001 | 1050 | 28-Ø39 | | 44 | 912 | 650 |
| | 25 | | 1185 | 1028 | 1090 | 28-Ø48 | | 58 | 938 | 697 |
| 1000 | 10 | 410 | 1230 | 1110 | 1160 | 28-Ø36 | 38 | 990 | 690 | |
| | 16 | | 1255 | 1110 | 1170 | 28-Ø42 | 46 | 990 | 700 | |
| | 25 | | 1320 | 1140 | 1210 | 28-Ø56 | 62 | 1072 | 780 | |
| 1200 | 10 | 470 | 1455 | 1328 | 1380 | 32-Ø39 | 44 | 1120 | 800 | |
| | 16 | | 1485 | 1328 | 1390 | 32-Ø48 | 52 | 1117 | 815 | |
| | 25 | | 1530 | 1350 | 1420 | 32-Ø56 | 70 | 1215 | 895 | |
| 1400 | 10 | 530 | 1675 | 1530 | 1590 | 36-Ø42 | 48 | 1236 | 925 | |
| | 16 | | 1685 | 1530 | 1590 | 36-Ø48 | 58 | 1295 | 935 | |
| | 25 | | 1755 | 1560 | 1640 | 36-Ø62 | 75 | 1335 | 990 | |
| 1600 | 10 | 600 | 1915 | 1750 | 1820 | 40-Ø48 | 52 | 1420 | 1020 | |
| | 16 | | 1930 | 1750 | 1820 | 40-Ø56 | 64 | 1420 | 1025 | |
| | 25 | | 1975 | 1780 | 1860 | 40-Ø62 | 84 | 1500 | 1070 | |
| 1800 | 10 | 670 | 2115 | 1950 | 2020 | 44-Ø48 | 56 | 1585 | 1145 | |
| | 16 | | 2130 | 1950 | 2020 | 44-Ø56 | 68 | 1585 | 1150 | |
| | 25 | | 2195 | 1985 | 2070 | 44-Ø70 | 90 | 1635 | 1130 | |
| 2000 | 10 | 760 | 2325 | 2150 | 2230 | 48-Ø48 | 60 | 1715 | 1255 | |
| | 16 | | 2345 | 2150 | 2230 | 48-Ø62 | 70 | 1715 | 1260 | |
| | 25 | | 2425 | 2210 | 2300 | 48-Ø70 | 96 | 1750 | 1330 | |

* The "n" of "n-Ød" is the total number of holes, 4-Mxx means that the 4 holes at stem upper and lower position are threaded holes.
"H" and "H1" for reference only.

Henan Yuda Valve Manufacturing Co., Ltd.
467500, Industrial zone in Ruzhou, Henan province.

www.hnydvalve.com

We reserve the right to modify the above information without notice.

(Oct. in 2021)