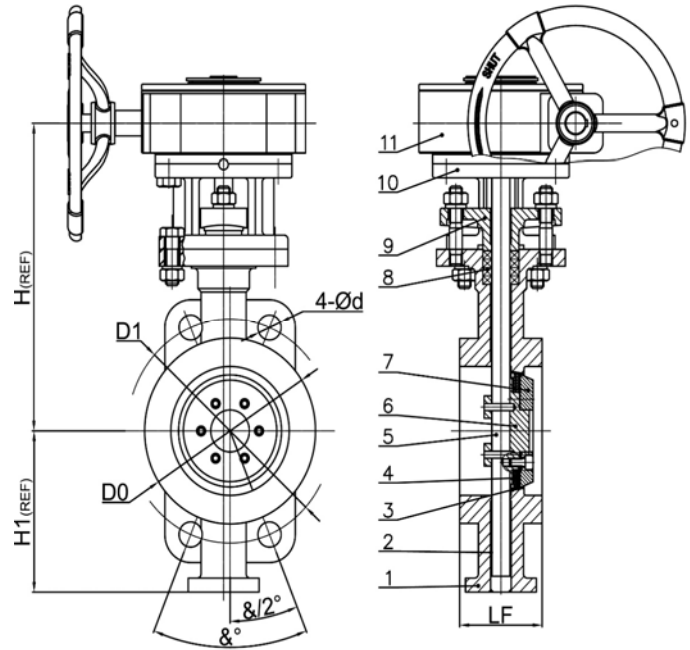




D373P Wafer type triple offset butterfly valve



Remarks:

- 1.Design and manufacture as per BS EN593
- 2.Face to face dimensions as per BS EN558 Series 25
- 3.Flange dimensions as per Gost 33259-2015
- 4.Pressure test as per BS EN12266-1

Pressure test		PN10	PN16	PN25
Shell		15bar	24bar	37.5bar
Seal	Water	11bar	17.6bar	27.5bar
	Air	6bar	6bar	6bar

Media: Water, oil and gas

Temperature: -15~350°C

Dimension: mm

DN	PN	LF	D0	D1	4-Ød	&°	(Number of holes)	H #	H1 #		
50	10	43	99	125	4-Ø18	90°	4	206	89		
	16										
	25										
65	10	46	118	145	4-Ø18	90°	4	218	101		
	16				4-Ø18					45°	8
	25										
80	10	49	132	160	4-Ø18	45°	8	228	110		
	16										
	25										
100	10	56	156	180	4-Ø18	45°	8	245	122		
	16			190	4-Ø22						
	25										
125	10	64	183	210	4-Ø18	45°	8	273	136		
	16			220	4-Ø26						
	25										
150	10	70	211	240	4-Ø22	45°	8	294	153		
	16			250	4-Ø26						
	25										
200	10	71	266	295	4-Ø22	45°	8	365	202		
	16			310	4-Ø22					30°	12
	25										

"H" and "H1" for reference only.

Material for main parts

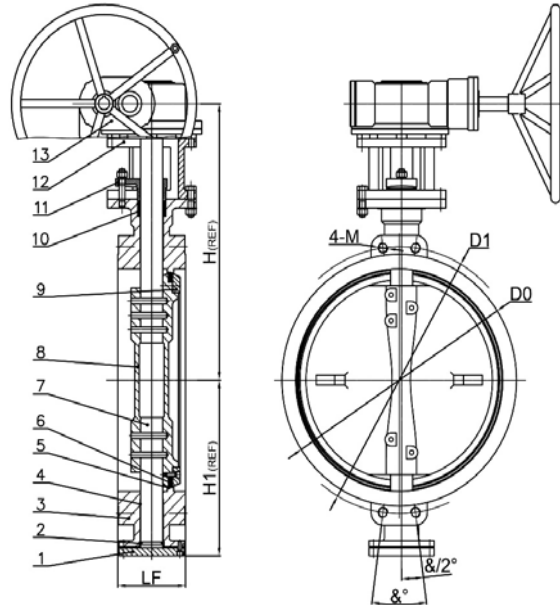
No.	Part Name	Material	No.	Part Name	Material
1	Body	WCB	7	Retainer	Q235
2	Bushing	Self-lubricating	8	Packing	Graphite
3	Body seat	SS304	9	Gland	WCB
4	Disc seat	SS304+XB450	10	Yoke	WCB
5	Stem	2Cr13	11	Gear box	Ductile iron
6	Disc	WCB			

Henan Yuda Valve Manufacturing Co., Ltd.
 467500, Industrial zone in Ruzhou, Henan province.
www.hnydvalve.com

We reserve the right to modify the above information without notice.

(Oct. in 2021)

D373P Wafer type triple offset butterfly valve



Remarks:

- 1.Design and manufacture as per BS EN593
- 2.Face to face dimensions as per BS EN558 Series 25
- 3.Flange dimensions as per Gost 33259-2015
- 4.Pressure test as per BS EN12266-1

Pressure test	PN10	PN16	PN25
Shell	15bar	24bar	37.5bar
Seal	Water	11bar	17.6bar
	Air	6bar	6bar

Media: Water, oil and gas

Temperature: -15~350°C

Material for main parts

No.	Part Name	Material	No.	Part Name	Material
1	Cover	Q235	8	Disc	WCB
2	Thrust ring	20#	9	Retainer	Q235
3	Body	WCB	10	Packing	Graphite
4	Bushing	Self-lubricating	11	Gland	WCB
5	Body seat	SS304	12	Yoke	WCB
6	Disc seat	SS304+XB450	13	Gear box	Ductile iron
7	Stem	2Cr13			

Dimension: mm

DN	PN	LF	D0	D1	4-M	°	(Number of holes)	H #	H1 #
250	10	76	322	350	4-M20	30°	12	405	248
	16			355	4-M24				
	25			370	4-M27				
300	10	83	368	400	4-M20	30°	12	440	289
	16			410	4-M24				
	25			430	4-M27				
350	10	92	427	460	4-M20	22.5°	16	490	333
	16			470	4-M24				
	25			490	4-M30				
400	10	102	480	515	4-M24	22.5°	16	512	364
	16			525	4-M27				
	25			550	4-M33				
450	10	114	533	565	4-M24	18°	20	573	380
	16			585	4-M27			585	
	25			600	4-M33				
500	10	127	582	620	4-M24	18°	20	602	425
	16			650	4-M30			602	
	25			660	4-M33			602	
600	10	154	680	725	4-M27	18°	20	730	485
	16		720	770	4-M33			700	
	25				4-M36			700	
700	10	165	800	840	4-M27	15°	24	740	525
	16				4-M33				
	25				4-M30				
800	10	190	902	950	4-M30	15°	24	835	585
	16				4-M36				
	25				4-M30				
900	10	200	1010	1050	4-M30	12.857°	28	881	650
	16				4-M36			916	
	25				4-M36			916	
1000	10	216	1120	1160	4-M33	12.857°	28	970	695
	16			1170	4-M39				
	25			1380	4-M36				
1200	10	254	1311	1380	4-M36	11.25°	32	1107	815
	16			1390	4-M45				
	25			1390	4-M45				
1400	10	279	1525	1590	4-M39	10°	36	1255	935
	16				4-M45				
	25				4-M45				
1600	10	318	1765	1820	4-M45	9°	40	1344	1010
	16				4-M52				
	25				4-M52				

"H" and "H1" for reference only.

Henan Yuda Valve Manufacturing Co., Ltd.
467500, Industrial zone in Ruzhou, Henan province.

www.hnydvalve.com

We reserve the right to modify the above information without notice.

(Oct. in 2021)